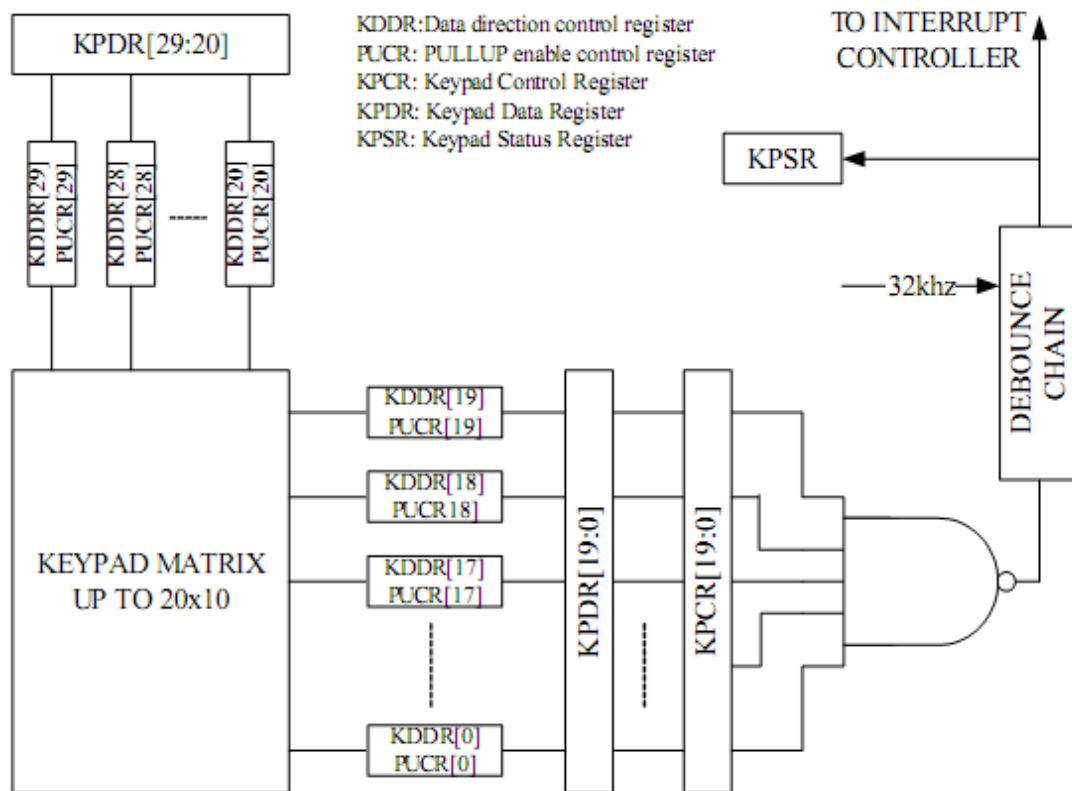


KPP

KeyPad Port Module

Summary

The Keypad Port is a 32-bit peripheral which can be used either for keypad matrix scanning or as general purpose I/O.



KPP Block Diagram

Features

- Interrupt pins configurable as general-purpose I/O
- Support 10*20 Matrix Keyboard

To obtain more information about the KPP or other C*Core™ products, please contact the C*Core Technology Co., Ltd. by phone: 0512-68091377, email: support@china-core.com or web: <http://www.china-core.com>.

C*Core™ is a trade mark of C*Core Co., Ltd.